

Cable Tray Expand

□ 429-FX01W

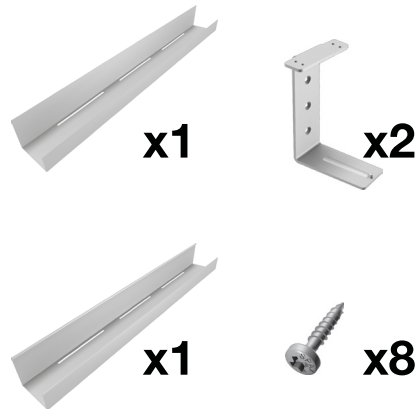
■ 429-FX01



A - Table installation

B - Desk screen installation

CONTENT:



1 DECIDE LENGTH USING MATRIX

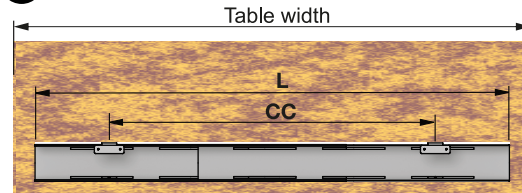
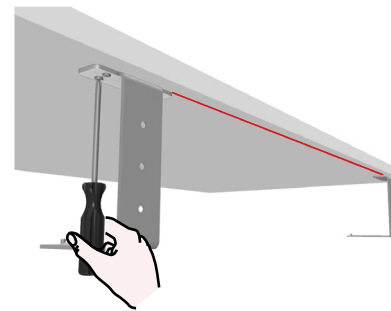


Table width	L _{max}	CC
2000	2000	1000
	1955	1200
1800	1800	800
	1755	1000
1600	1600	1050
	1555	800
1400	1400	800
1200	1200	800

Note: Minimum possible length is 1050 mm and maximum recommended length is 2000 mm.

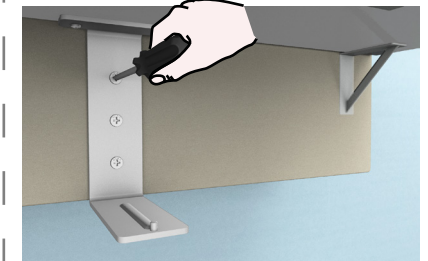
2a ATTACH TO TABLE

Measure up the distance and mount where the hanging brackets are planned to hang. Make sure to align the two brackets properly and mount the bracket to the table.



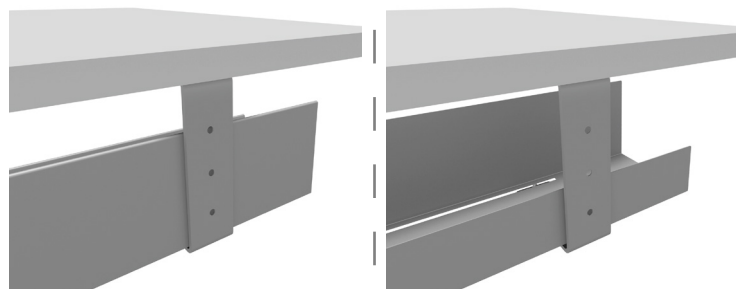
2b ATTACH TO SCREEN

Measure up the distance and mount the hanging brackets to the desk screen using three adequate countersunk Ø6 mm wide wood screws (not included).



3 ROTATE

Decide on which direction the cable should be turned towards, and make sure the small pegs from the hangers go through the cable tray track.

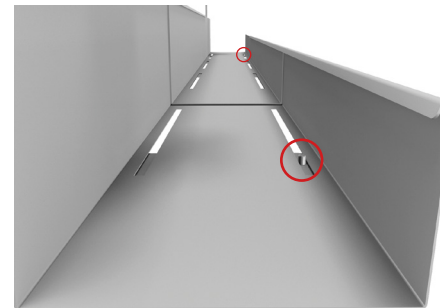


Option 1: Cable trays closed towards the back and open towards the front.

Option 2: Cable trays open towards the back and open towards the front.

4 ASCERTAIN

Make sure the small pegs from the hanging brackets go through the cable tray tracks (see marked areas).



6 TILT AND INSTALL

Turn to facilitate installing desired components into the cable tray and turn it back once done.

