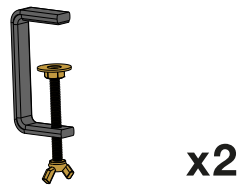
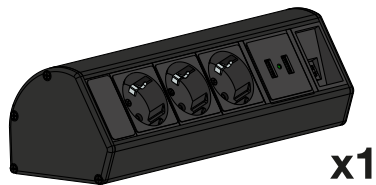


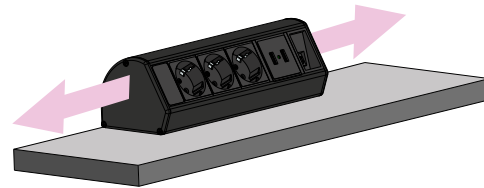
# Axessline Desk ■ 935-D3DU

## CONTENT:



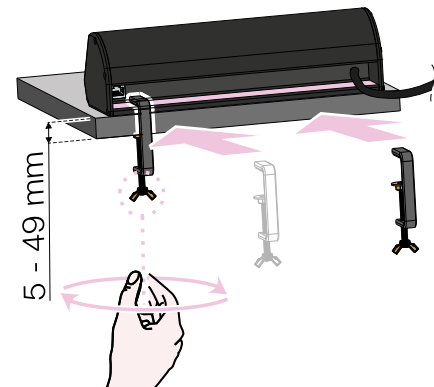
- 1** POSITION TO EDGE  
Position the Axessline desk  
next to the edge of the table.

Ascertain that the power cable  
length is within reach of a power  
socket as well as the ethernet  
cables that will be plugged into  
the backside of the Axessline  
desk.

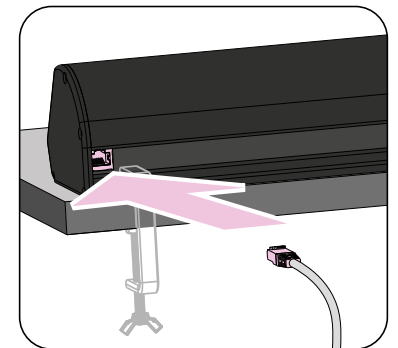


- 2** FASTEN CLAMP  
Position the clamp between the track  
and table - tighten using your fingers.

Turn clockwise to tighten and ascertain  
that the product does not move if  
pushed or pulled.



- 3** CONNECT ETHERNET CABLES  
Connect the ethernet cable to the  
backside of the unit. Make sure that  
the cable are fully inserted and  
connect to both ends (device to  
Axessline Desk).



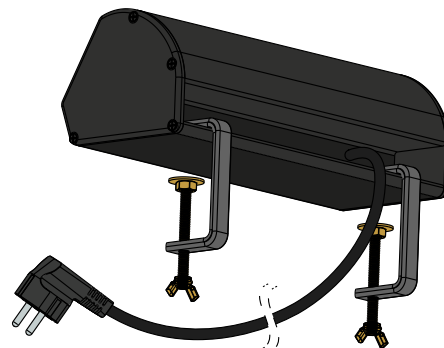
**Note!** Ethernet cable is not included.

- 2 **USB-A Charger**  
**ports (5V, 2.1A)**

- 1 **Data ports**  
**(RJ45, CAT6)**

- 3 **Power sockets**  
**(Type F)**

- 1 **Type F plug**  
1500 mm



- 4** PLUG IT IN  
Plug the power plug to the intended power socket and start using.

