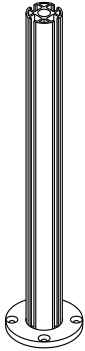


## Part Check-List

①



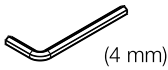
x2

②



x8

③



x1

④



x2

⑤



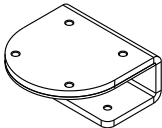
x2

⑥



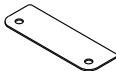
x4

⑦



x2

⑧

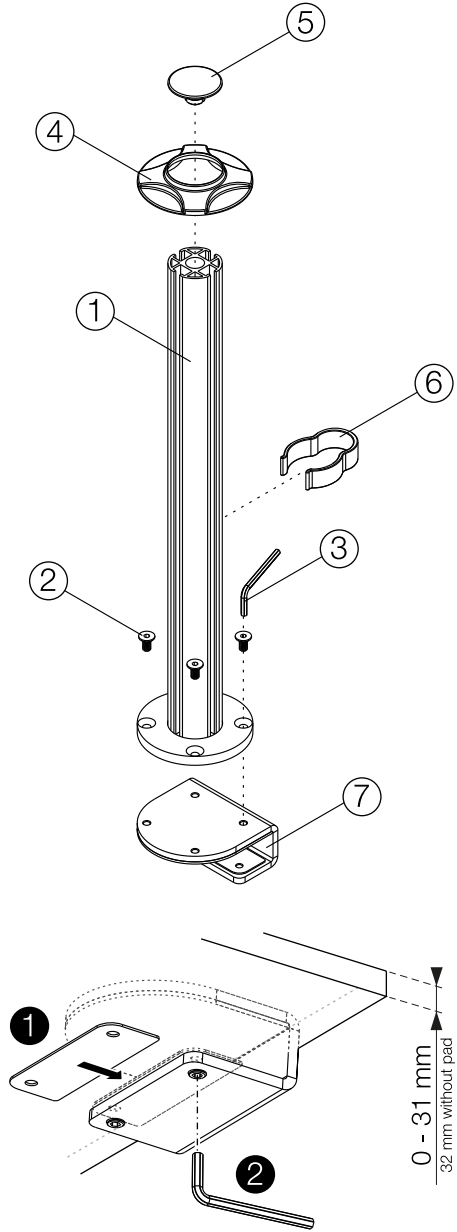


x2

⑨



x4



0 - 31 mm  
32 mm without pad