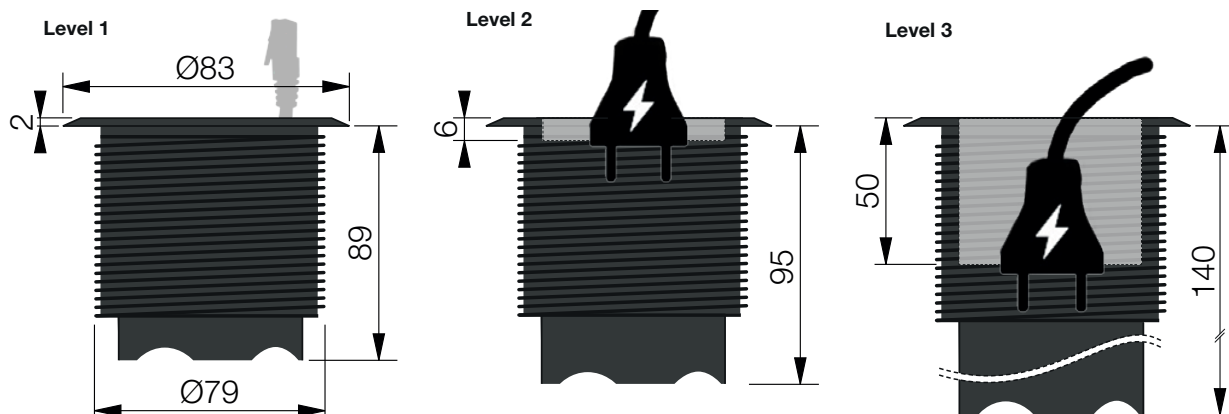


□ 935-PD14W

■ 935-PD14

Powerdot - Power, 2x USB-chargers (5V 2A), 1 Feed through (Ø9.5 mm)

Front View



Side View - With cable and fastening nut

